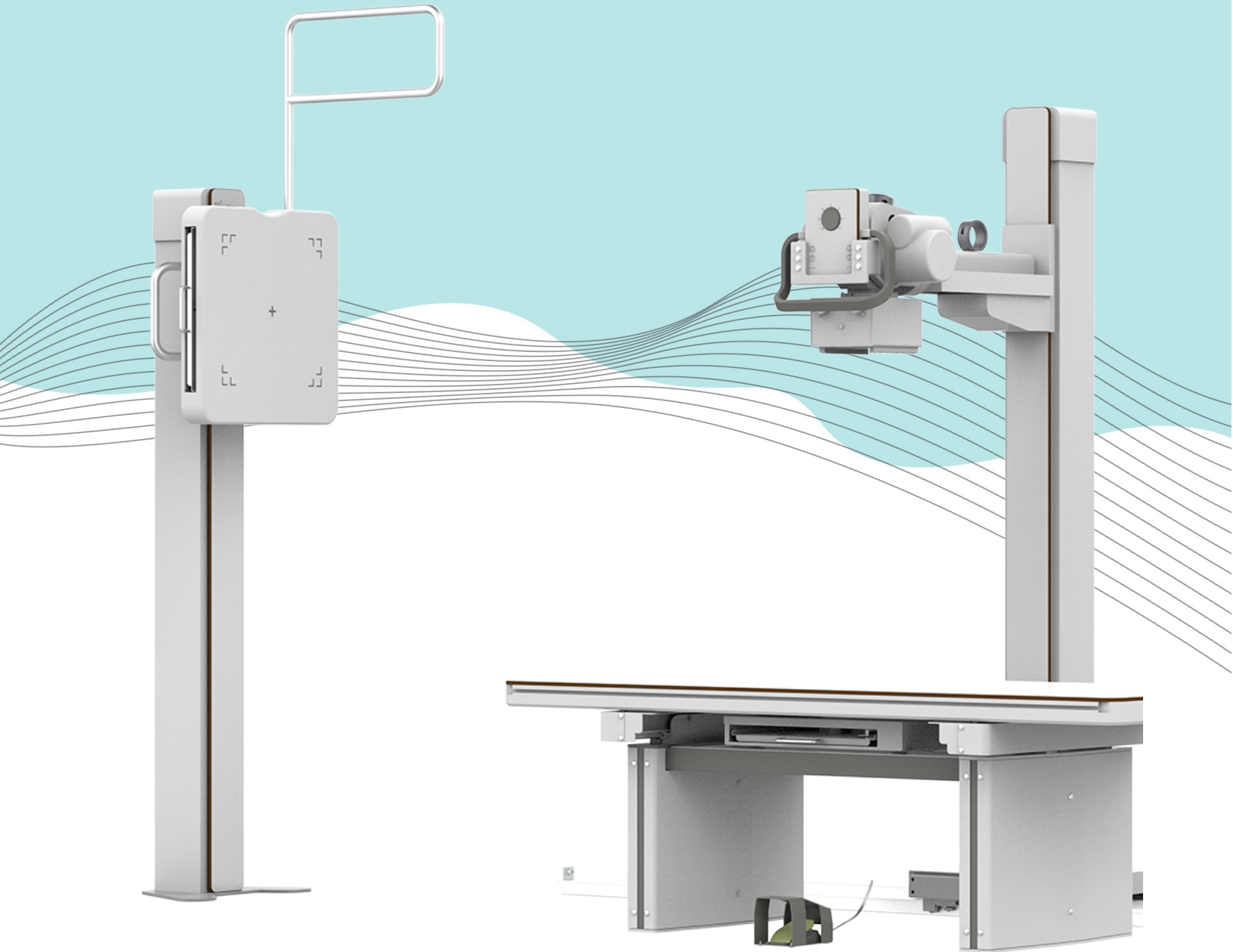




**MEDICATECH USA®**

# MasteRad™ **MX45 FM**



High Quality All-in-One Radiography  
POWERED BY VOYANCE®

# MasteRad™ MX45 FM

## Features

Fully integrated with all the features necessary for a all-in-one radiography system. Since your budget is always on our mind, MedicatechUSA brings together a fully integrated system with smooth functions, user-friendly design and durable quality.



CONVENTIONAL  
RADIOGRAPHY



FLOATING  
TABLE



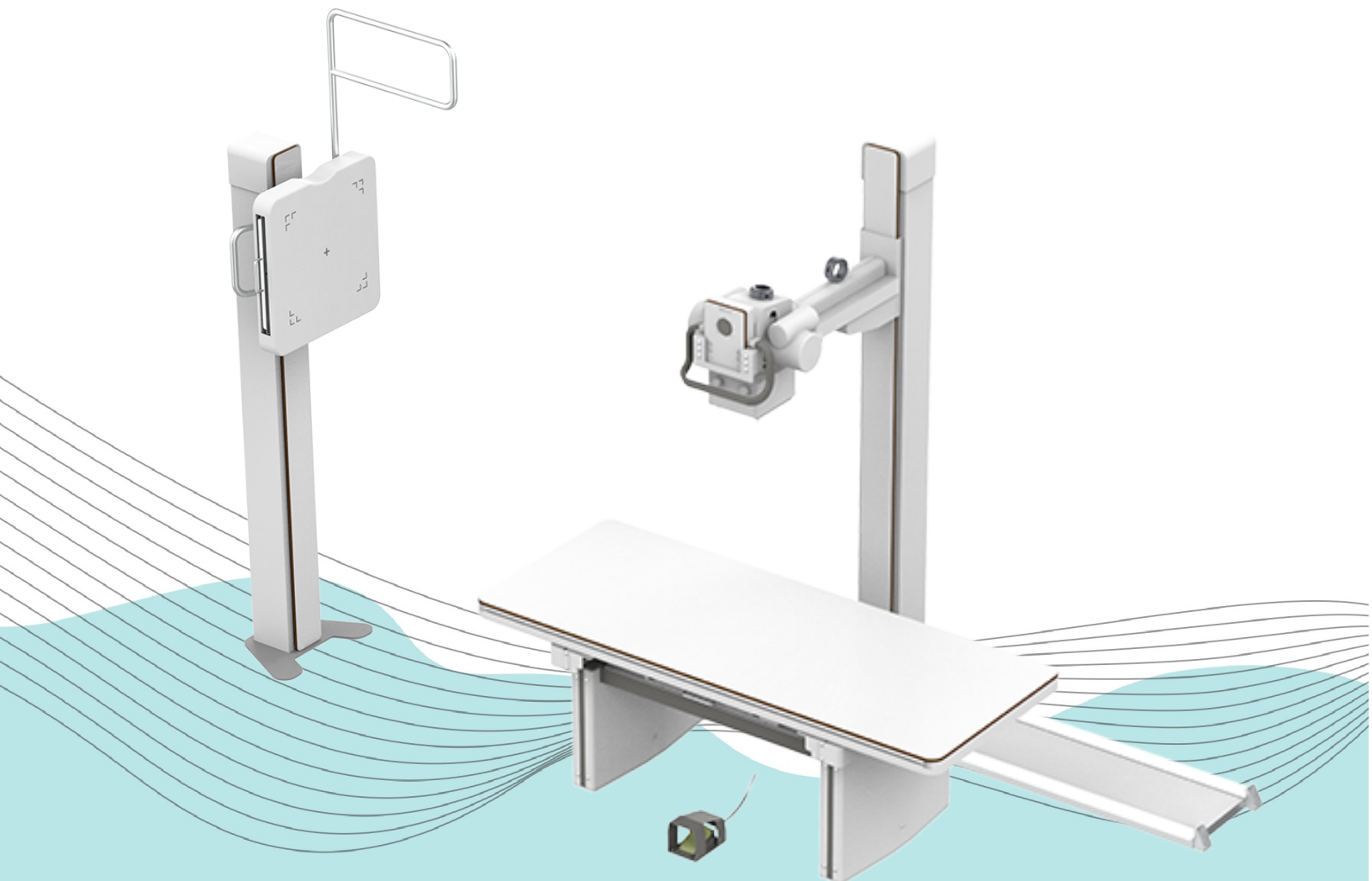
FLOOR WALL  
TUBE RAIL  
STAND



OSCILLATING  
GRID



DR  
UPGRADABLE



Ideal choice for a complete range of radiographic procedures and eliminates the need for high-cost room modifications. Enhance your workflow with a compact and effective design.

# System Configuration & Specification

Generator	Input Power	32 kW Single Phase
	kV Range	40 -125 kV
	Output Frequency	10 - 400mA
	mAs Range	0.1 - 100 mA
	Tube Current Range	10mA - 630mA   10mA - 800mA
	Exposure Time Range	1 ms -6.4 s
	Console	Membrane Console
	A P R	Anatomical Programming
Technique Selection	kV/AEC, kV/mAs, kV/ma/ms	

Tube	Type	Rotating Anode Type
	Focal Spot	Large 2mm, Small 1mm
	Operating Voltage	40 - 150kV
	Anode Heat Capacity	140kHu
	Target Angle	12°

Collimator	Power Supply	1Phase 24VAC 50/60Hz
	Related Tube Voltage	125 kVp
	Filters	1.2mm Al
	Intensity of Illumination	LED over 160Lux

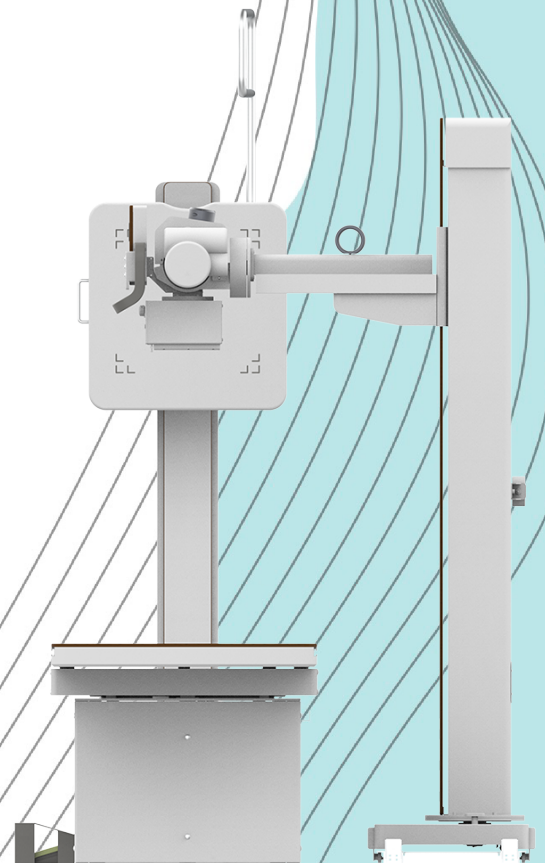
Grid	103L 10:1 100/180cm
HVC	10m

Tube Stand	Heights	2250mm / 88.5 Inches
	Floor Rail Width	3090mm / 121.5 Inches
	Vertical Movement	400 - 1800mm / 15.75 - 70.5 Inches
	Horizontal Movement	2433mm / 95.5 Inches
	Tube Stand Rotation	+/- 90°
	Tube Rotation	+/- 135°
	Telescopic Movement	230mm / 9 Inches

Wall Stand	Wall Stand Heights	2060mm / 81.25 Inches
	Vertical Movement	355 - 1700mm / 14 - 70 Inches

Table	Weight Capacity	300kg
	Table Size	2000x800x670mm / 78x31.5x26 Inches
	Movement	Transverse : 250mm / 9.75 Inches
		Longitudinal : 720mm / 28 Inches
	Top Filtration	1.2mm / .04 Inches

\* All specifications can change without prior notice.

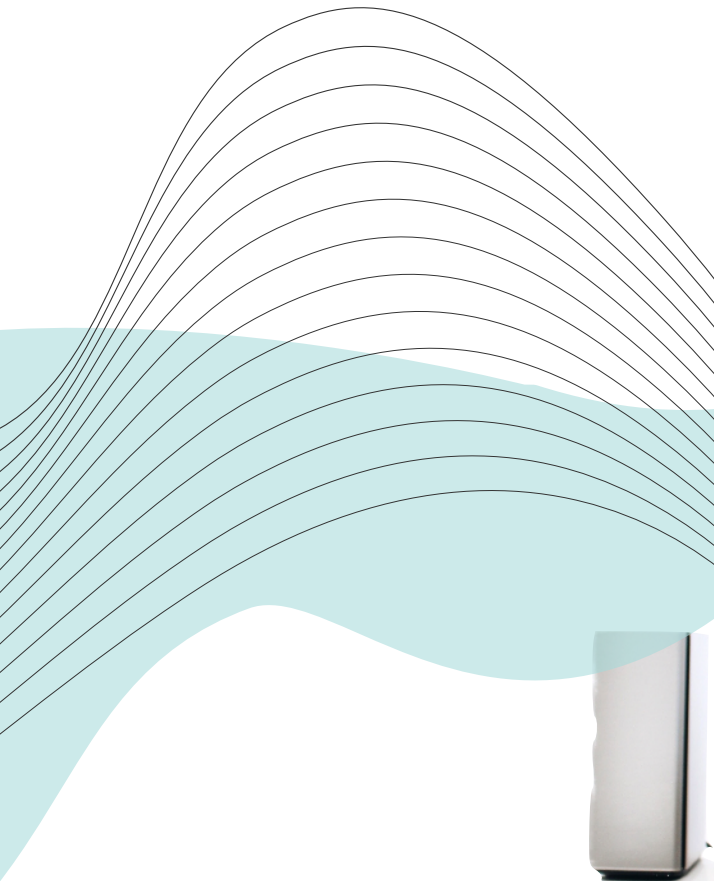


# VOYANCE®

By Mediatech USA®

An industry leading complete software suite that delivers a secure and cost-effective way to acquire, view and share DICOM Images. Voyance® is one of the easiest, most user friendly interfaces. Its modern design & attention to the user experience along with its and features & functions make it a great tool to every user.

- Instant installation and auto-configuration**
- Easy, user-friendly Modern user interface**
- Interface consistency across acquisition and viewing platforms**
- Optimum Workflow designed for efficiency**
- ClairVoyance® Image Processing Algorithm**
- Supports a wide range of detectors and generators**
- X-RAY Generator integration (CPI & DRGEM)**
- Auto Stitching and Auto Cropping**
- Side by side comparisons**
- Fully DICOM 3.0 Compatible: MWL, MPPS, and all DICOM ops.**
- Reject Analysis**





**MEDICATECH USA®**



**T. +1 800-817-5030**

**T. +1 949-679-2881**

**F. +1 949-679-2882**



**[www.medicattechusa.com](http://www.medicattechusa.com)**



**[info@medicattechusa.com](mailto:info@medicattechusa.com)**